



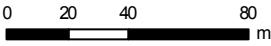




RAILWAY PROTECTION PLAN
 The information shown is indicative only
 Terms & Conditions Apply

LEGEND
 Railway Safety Line
 Railway Corridor Line
 Land within Railway Safety Zone


 A3 L Scale 1 : 2500


53 HUME AVENUE
 PO : A9F4031984551M_5
 13-10-2011
 Copyrights Reserved